

# MODEL 333 MODEL 363

## Instant & Operate Delay Timer

- One instant and one timed contact
- Wiring compatible with standard relays
- Variety of voltage and timing ranges
- 5-Year unconditional warranty

### DESCRIPTION

The **Model 333 and 363 Instant & Operate Delay Timers** are industrial quality devices with a high accuracy electronic timing circuit driving two internal SPDT relays. One relay transfers upon application of power, the other relay transfers after a delay period.

Each model is functionally interchangeable and available in multiple voltage/timing range combinations. The Model 333 is a potentiometer (knob-adjust) timer and the Model 363 is a high-accuracy digital input timer.

An "SG" version of this model is available using silver with gold flash contacts.

Models 333 and 363 are UL Recognized and CSA Certified.

### UL SPECIFICATIONS\*

Models	333 and 363
<b>Input</b>	
Voltage (VAC)	10-28V AC/DC OR 40-260V AC/DC
Power	3 Watts Max
<b>Output</b>	240V AC, 10A, Resistive 120V AC, 4A, General Use 240V AC, 2A, General Use C300, Pilot Duty

\* Pilot Duty:  
120V: Make 15A, Break 1.5A  
240V: Make 7.5A, Break 0.75A



### SPECIFICATIONS

MODEL	333 (knob adj.)	363 (digital)
Voltage	L = 10-28V AC/DC H = 40-260V AC/DC	
Timing range	<b>10SEC:</b> 1 - 10 Sec. <b>60SEC:</b> 1 - 60 Sec. <b>180SEC:</b> 1 - 180 Sec. <b>300SEC:</b> 1 - 300 Sec.	<b>0.1SEC:</b> 0.1 - 102.3 Sec. <b>1SEC:</b> 1 - 1023 Sec. <b>1MIN:</b> 1 - 1023 Min. <b>1HR:</b> 1 - 1023 Hr.
Accuracy	± 5%	± 2%
Repeatability	± 2%	± 0.1%
Operating temp	-20°F to +140°F	
Recycle time	100ms	
Contacts	Two SPDT Relays	
Contact rating	10A at 240VAC resistive	
Transient protection	775V, 80 Joules	
Humidity tolerance	0 - 97% w/o condensation	
Enclosure material	NORYL Plastic	
Mounting	8-pin socket (not included)**	
Weight	5 oz.	
Agency approval	*UL Recognized and CSA Certified	
Additional Options	/C = Custom (Voltage and/or Timing) /SG = Silver with Gold Flash Contacts	

\*\* order 8 -pin socket number 51X120

### Ordering Examples (Model-Voltage-Timing Range [/Options]):

**363-H-0.1SEC** = Model 363 with a 40-260V AC/DC voltage range and a timing range of 0.1-102.3 seconds.

**333-L-180SEC /SG** = Model 333 with a 10-28V AC/DC voltage range, a timing range of 1-180 seconds, and optional silver with gold flash contacts.

Contact Time Mark to order a custom programmed unit

An LED on top of the unit provides a quick visual indicator of the relay's status.

LED Indicator	Unit Status
Green	Energized
Red	De-energized
Flashing (Green or Red)	Relay is Timing

11440 East Pine Street  
Tulsa, Oklahoma 74116

02/2020

© 2020 TIME MARK CORPORATION

TIME MARK is a division of  AEMT, Inc.

**SIGNALINE**  
DIV OF TIME MARK CORPORATION

# MODEL 333 / 363

# Instant & Operate Delay Timer

READ ALL INSTRUCTIONS BEFORE INSTALLING, OPERATING OR SERVICING THIS DEVICE.  
KEEP THIS DATA SHEET FOR FUTURE REFERENCE.

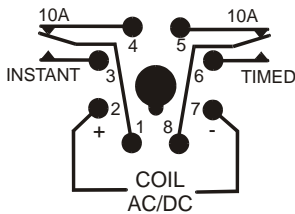
## GENERAL SAFETY

POTENTIALLY HAZARDOUS VOLTAGES ARE PRESENT AT THE TERMINALS OF THE MODEL 333 OR 363.  
ALL ELECTRICAL POWER SHOULD BE REMOVED WHEN CONNECTING OR DISCONNECTING WIRING.  
THIS DEVICE SHOULD BE INSTALLED AND SERVICED BY QUALIFIED PERSONNEL.

## Installation Instructions

### PIN CONNECTIONS

The Models 333 and 363 Instant & Operate Delay Timers require a standard 8-pin socket for mounting, and use a standard pin configuration. Refer to the pin diagram below, or on the timer, for terminal connections.



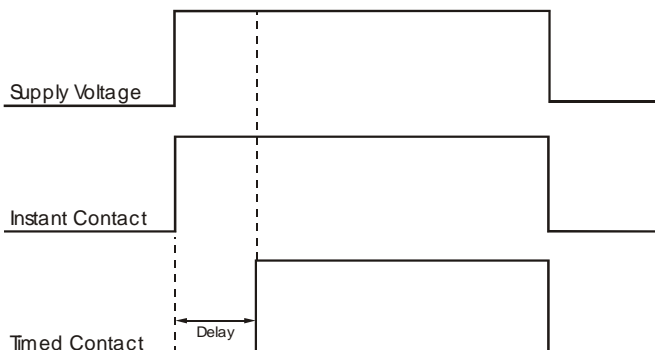
Shows No Power Applied

**NOTE:** When installing the **Model 333 or 363 Timer** in areas of high humidity or contamination, it is recommended that the base area and all exposed metal parts of the socket be coated liberally with a good quality silicone grease, such as Dow Corning DC-4 or DC-4X. Insert the unit into the socket and wipe off excess grease around the base. This will prevent the entrance of moisture and other contaminants into the base and socket areas.

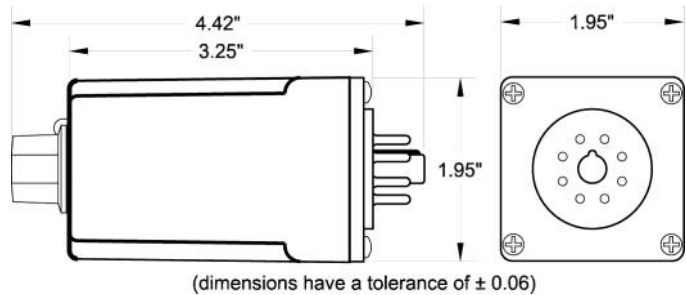
### OPERATION

When power is applied, contacts 1-3-4 transfer immediately, and the time delay begins. On completion of the delay, contacts 5-6-8 will transfer. Both relays remain energized until power is removed.

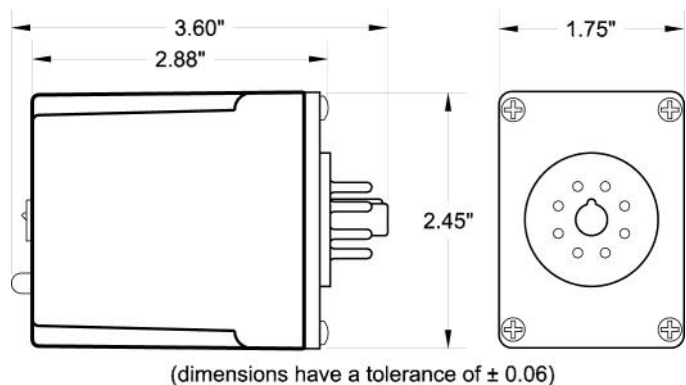
### TIMING DIAGRAM



### DIMENSIONS - Model 333



### DIMENSIONS - Model 363



### WARRANTY

This product is warranted to be free from defects in materials and workmanship, and is covered by our exclusive **5-year Unconditional Warranty**. Should this device fail to operate for any reason, we will repair it for five years from the date of manufacture. For complete warranty details, see the *Terms and Conditions of Sales* page in the front section of the Time Mark catalog or contact Time Mark at 1-800-862-2875.

11440 East Pine Street  
Tulsa, Oklahoma 74116

02/2020

© 2020 TIME MARK CORPORATION

TIME MARK is a division of  AEMT, Inc.

**SIGNALINE**  
DIV OF TIME MARK CORPORATION